

# SmartLF Cx40

40"

## LARGE FORMAT CIS SCANNERS

SmartLF Cx 40 wide format scanners are ideal for architects, engineers, surveyors and all AEC, CAD & GIS professionals and office users.

- 40" max. image width/44" max. document width
- Very sharp, clean black & white
- High speed scans of black & white and colour technical documents
- 600dpi optical resolution
- The ONLY on-site upgradable to colour large format scanner
- High resolving power for superior fine line definition

JUST  
PLUG & PLAY  
WITH  
HIGH SPEED  
USB2

Cx 40 is designed to provide fast, high quality scans, copies or file distribution of large format maps, engineering drawings, blueprints, site plans, architectural renderings and many other technical documents. These 40" wide format scanners are ideal for AEC, CAD & GIS professionals and office users in any size of enterprise.

SmartLF Cx 40 is an innovative large format scanner design that uses the latest Contact Image Sensors (CIS) of 600dpi true optical resolution. All Cx scanner models provide exceptional monochrome performance with very sharp, clean black & white images; excellent greyscale reproduction and high scan speeds.

For colour applications there are two very affordable scanner models, offering a choice of fast or express scanning speeds. Both come with Colortrac's best in class CIS colour image quality built-in.

THREE versions available:

### Cx 40m (mono)

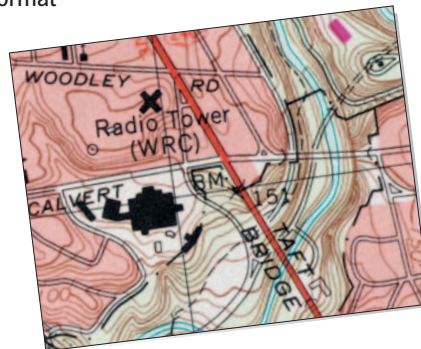
captures fine image details in maps & CAD drawings at speeds up to 10.10"/s

### Cx 40c (colour)

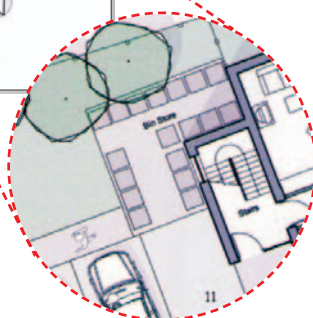
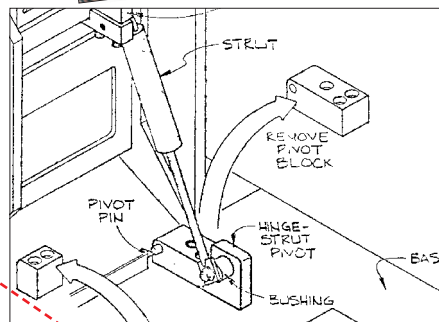
adds colour scanning to the 40m with colour scan speeds up to 0.84"/s

### Cx 40e (colour express)

adds express colour scanning at speeds up to 3.36"/s



Clear, simple controls and easy access for cleaning



Colortrac  
Our Business is Your Image

There are three SmartLF Cx 40 large format scanner models with performance levels and features optimised for different applications. If your requirements change, the m and c models can be upgraded at your premises quickly and easily using our simple scanner upgrade process via email

● standard    ◊ optional    — not supported

Feature	SmartLF Cx 40 wide format scanner model:	m	c	e
Maximum image width	40in (101.6cm) Image length: not limited by scanner	●	●	●
Maximum media width <sup>1</sup>	44in (111.8cm) Thickness: 0.02in (0.5mm)	●	●	●
Scan speeds <sup>2</sup> in/sec	24-bit RGB colour @ 200dpi (400dpi Turbo) 8-bit greyscale & monochrome @ 200dpi (400dpi Turbo)	—	0.84	3.36
Scan accuracy <sup>3</sup>	+/-0.1% +/-1 pixel	10.10	10.10	10.10
Optical resolution	Dots per inch (dpi)	●	●	●
Extended resolution <sup>4</sup>	Linear interpolation from 100 to 3600dpi in 1 dpi steps	600	600	600
Scan modes	16.7 million colour RGB (24-bit) 256 & 16 colour RGB adaptive indexed colour palette (8-bit & 4-bit) 256 level greyscale (8-bit) Black & White (1-bit)	—	●	●
Digital image processing (Colortrac software options provide a comprehensive range of 'post scan' image processing filters and tools)	2D Intelligent Adaptive Thresholding (IAT) (1-bit mode) Fixed Threshold Black & White (1-bit mode) Dynamic Normalisation Application (DNA) with 16-bit super sampled data Precise factory set colour calibration with auto monitoring and auto colour temperature adjustment	—	●	●
Colour space	Normalised/linearised Raw RGB data	●	●	●
Colour image processing	Gamma, brightness, black & white point adjustment	—	●	●
Advanced 2+4 wheel-drive Active Paper Transport [APT]	Dual, precision ground drive rollers Dual, all-wheel-drive contour rollers with high grip rubber tyres Dual, belt driven pressure rollers for active media control during scans Accurate, zero maintenance optical media sensors & automatic media size detection	●	●	●
All digital image sensor technology	5 x Contact Image Sensors (CIS) each with 5,000 pixels Rigid beam scanhead with maintenance free CIS alignment 25,000 pixels x 4 (Sequential R + G + B & panchromatic B&W) 48-bit primary point colour image capture 16-bit primary point greyscale image capture Panchromatic Black & White	●	●	●
Light source (in CIS)	Extra long-life LED, extended depth illumination, instant-on scan ability	●	●	●
Optics (in CIS)	Solid state fibre optic image guide lens (1 per pixel)	●	●	●
User status & One Touch operation	LCD panel (scanner status, mode & settings), stop, forward & rewind Scan/Copy buttons	●	●	●
Scanner maintenance and user replaceable parts	Customer installable, plug 'n' play scanner Precision media calibration with DNA 16-bit super sampled data 5 x chemically treated, scratch resistant scan glass, each 22 x 228mm	●	●	●
SmartLF software (included)	Colortrac SmartLF ready to run software with: Scan-to-file with real time image viewer Scan-to-copy with real time image viewer Scan-to-email with real time image viewer Scanner drivers, TIFF, JPEG, PDF file formats	●	●	●
Interface (included)	USB2 / 2m USB2 cable / local power cable / rear media supports Windows Image Acquisition (WIA) / Still Image Interface (STI)	●	●	●
Dimensions & weight	54.8in wide x 6.7in high x 13.0in deep (140 x 17 x 33cm) 73Lbs (33kg)	●	●	●
Power requirements	120~240VAC autosensing, 50~60Hz, 27VA (scanning) 16VA (standby)	●	●	●
Scan software	ScanWorks ~ professional scan-to-archive & post scan image processing	◊	◊	◊
Copy software	CopySmart ~ professional scan-to-print with IT8 colour matching	◊	◊	◊
EDC software	ISIS™ driver ~ connect seamlessly to EDM systems & database	◊	◊	◊
Scanner accessories	Floor stand 30.7in high x 21.7in deep (78 x 55cm) 29Lbs (13kg) Paper catch basket (floor stand is required) PC & LCD monitor mounting kit (floor stand is required) Universal repro stand with PC & LCD monitor mounting kit 75in wide x 61in high (max incl. scanner) x 29in deep (189 X 155 x 74cm) 113Lbs (51kg), max permissible printer height 49in (125cm)	◊	◊	◊

[1] Media wider than 41.5in may exhibit some degradation in the image. [2] The scan rate is proportional across the full range of resolutions supported by the scanner. Actual scan times will depend on the host system performance. Quoted top speeds are not guaranteed for all media types. [3] The quoted scan accuracy is valid for media up to 0.5mm thick and may vary depending on the operating environment and the type & thickness of media. Colortrac measures accuracy by scanning a paper original printed with a square target. The pixel co-ordinates of the target image are measured and compared with the known dimensions of the original. SmartLF Cx 40 scanners are tested at 20°C +/- 3°C, 60% +/- 10% RH. [4] The maximum resolution selectable for an image is limited by the file format specified & the available disk space. [Colortrac recommends Pentium 4 HT (Hyper-Threading), Core Duo, Core 2 Duo or AMD Athlon Dual Core processors, at least 512MB RAM, a USB2 hardware interface, Windows™ XP Home, Windows™ XP Professional (32-bit version), Windows™ XP Professional (64-bit version) and Windows™ Vista operating systems. Contact your supplier for advice on the optimum system configuration for your application.] [Colortrac SmartLF Cx 40 scanners comply with CB, CE, FCC, UL and RoHS standards and regulations.] Colortrac Ltd makes no warranty of any kind with respect to the information contained in this document and reserves the right to change specifications without notice. Colortrac and SmartLF are trademarks of Colortrac Ltd. All other trademarks are the property of their respective owners. Copyright © 2006 Colortrac Ltd. COLORTRAC SMARTLF WIDE FORMAT SCANNERS ARE DESIGNED AND MANUFACTURED BY COLORTRAC.